

Oyster Stool

UTIL



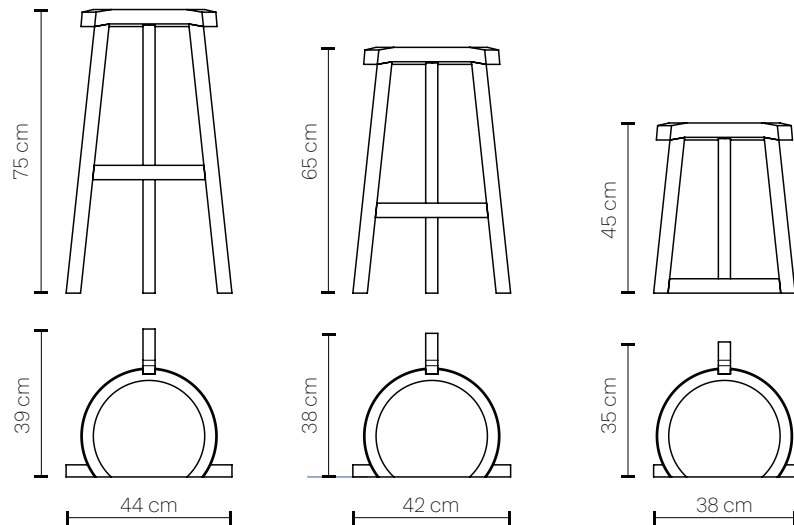
Oyster is a stool and occasional side table made of solid ash. The tripod design reveals a graphic quality and is rich in wood working details. The eccentrically designed stool gets a clear direction through its off-cut in its circular seat and the remarkable T-shaped leg construction making it a versatile stool for your everyday life.

Designed by: GECKELER MICHELS

Materials Solid wood Ash

Care Instructions Clean with a damp cloth.

Dimensions



Colors



Anthracite
Grey



Satin
light grey



Natural Ash

Shop at: www.thisisutil.com/products/oyster